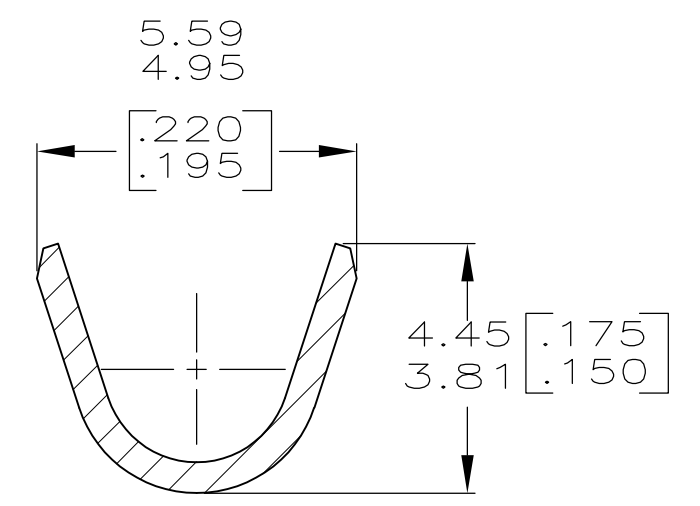
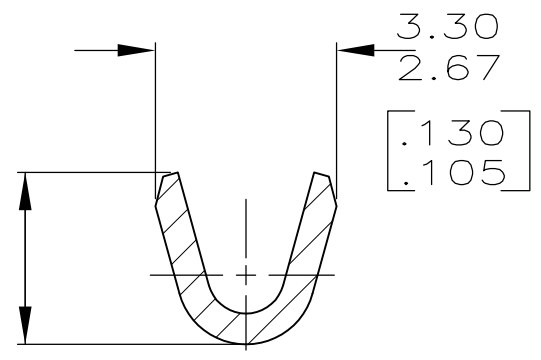
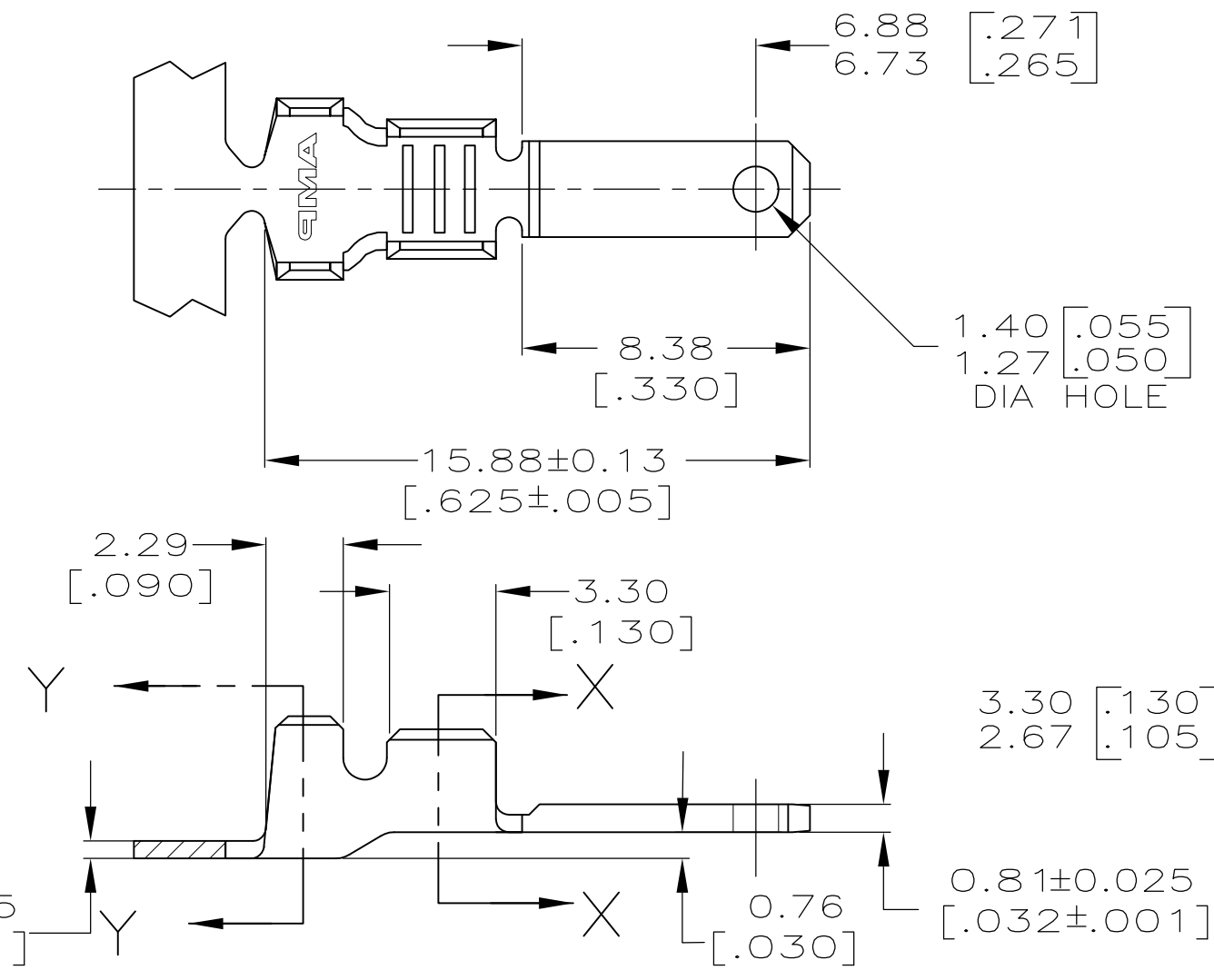


THIS DRAWING IS UNPUBLISHED. RELEASED FOR PUBLICATION  
 © COPYRIGHT - By - ALL RIGHTS RESERVED.

LOC	DIST	REVISIONS			
P	LTR	DESCRIPTION	DATE	DWN	APVD
AF	50	K	REVISED PER ECR-13-011489	04DEC2013	KH PD

- 1 CONTINUOUS STRIP ON REELS.
- 2 WIRE SIZE IS [22-18] AWG.
- 3 INSULATION RANGE IS 1.78-3.30 [.070-.130] DIA.



PLAIN	63138-2
TIN	63138-1
FINISH	PART NO

THIS DRAWING IS A CONTROLLED DOCUMENT.		DWN	JR RUTH	3/21/95	<b>TE Connectivity</b>							
DIMENSIONS: mm [INCHES]		CHK	MS FEHER	3/21/95				NAME TAB, FASTON™, 2.79 [.110] SERIES				
TOLERANCES UNLESS OTHERWISE SPECIFIED:		APVD	J HUZVAR	3/21/95								
0 PLC ± - 1 PLC ± - 2 PLC ± 0.38 [.015] 3 PLC ± - 4 PLC ± - ANGLES ± -		PRODUCT SPEC						SIZE				
MATERIAL		FINISH			CAGE CODE			DRAWING NO		RESTRICTED TO		
BRASS		SEE TABLE			A300779			G-63138		-		
CUSTOMER DRAWING					SCALE		5:1		SHEET		1 OF 1	
									REV		K	